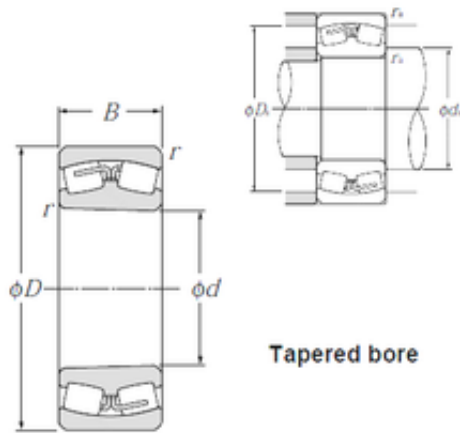




239/1320K NTN Spherical Roller Bearings



Bearing No. 239/1320K

239/1320K Bearing 2D drawings and 3D CAD models

Size	1320x1720x300 mm
Bore Diameter	1320 mm
Outer Diameter	1720 mm
Width	300 mm
d	1320 mm
D	1 720 mm
B	300 mm
C	300 mm
r min.	7,5 mm
da min.	1 356 mm
Da max.	1 684 mm
ra max.	6 mm
Weight	1 840 Kg
Basic dynamic load rating (C)	13 600 kN
Basic static load rating (C0)	38 000 kN
(Grease) Lubrication Speed	120 r/min
(Oil) Lubrication Speed	150 r/min
Calculation factor (e)	0,16
Calculation factor (Y0)	4,24
Calculation factor (Y1)	4,34